

# Omega Products Pvt.Ltd.

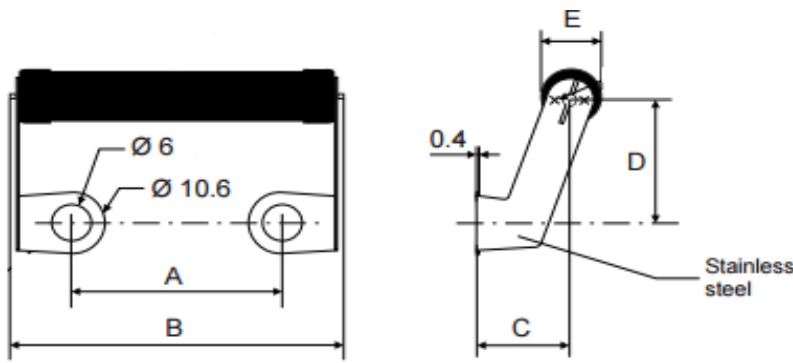
## Capacitor Discharge Resistor - OCD Series.

### DESCRIPTION

Homogeneous film is deposited on high alumina ceramic rods. Stainless steel lugs are firmly pressed on the metallised rods. Resistors are trimmed to achieve the precise resistance tolerance by cutting a helical groove on the film layer. The resistors are coated with flame proof epoxy for electrical, mechanical and climatic protection, alpha numeric marking is done with respect to designated value on coated resistor.

### FEATURES

- Wide Range of Resistors
- Pulse withstanding design available
- RoHS Compliant
- Custom Built Design and values available



### SPECIFICATION

Dimensions are in mm

TYPE	Wattage	A	B	C	D	E	Resistance Range	TCR
OCD 13	13W	32 ± 1	52 ± 1	16.± 1	25 ± 1	8.5 ± 0.5	10R to 1M	100 ppm

### PERFORMANCE CHARACTERISTIC

Short Term Overload (2.5 x Rated voltage - 5 Sec)  
 Load Life (Rated at 70°C 1000 Hrs 1.5/0.5 Hr ON/OFF)  
 Temperature Cycling (-55 /+155, 5 cycles )  
 Insulation Resistance (at 500V for 1 Min)  
 DWV Test  
 Resistance Soldering Heat (260°C 10 Sec)  
 Solderability (Solder bath dip - 5 Sec)  
 Resistance to Solvents (Solvent dip - 3 min)  
 Damp Heat Steady State (40°C/95% Rh - 56 days)  
 Terminal Strength (Bending, Tensile, Torsion)

#### Requirement Shall not Exceed

Delta R ± (1.0% +0.05 Ohms)  
 Delta R ± (5.0% +0.05 Ohms)  
 Delta R ± (0.5% +0.05 Ohms)  
 Shall not be less than 10 000 M Ohms  
 Delta R ± (0.5% +0.05 Ohms)  
 & No Flash over at 1000V  
 Delta R ± (1.0% +0.05 Ohms)  
 Greater than 95% Coverage  
 No effect of IPA /TCE Solvents  
 Delta R ± (3.0% +0.05 Ohms)  
 Delta R ± (0.5% +0.05 Ohms)  
 & No Mech. Damage

### Ordering Info

**OCD13 100K J 200 PPM**

\*Specifications is subject to change without notice