



# OMEGA PRODUCTS PVT. LTD.

Unit No.50,SDF II, SEEPZ (SEZ ) Andheri ( East ), Mumbai 400 096

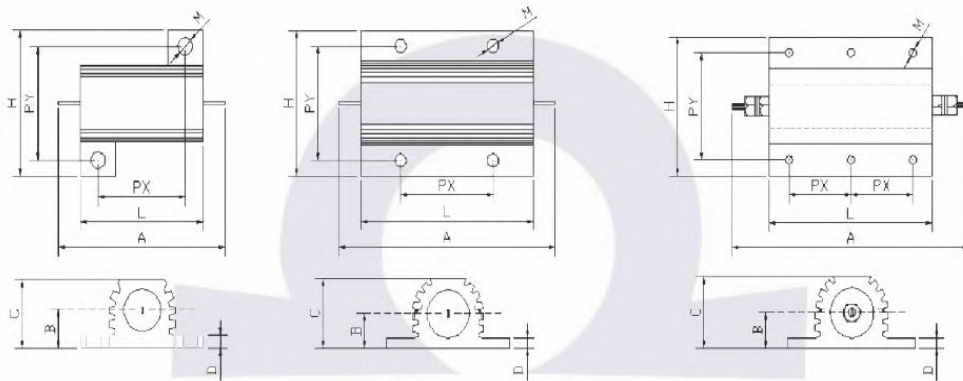
## Wire wound Resistors Aluminium Housed OAH Series

### DESCRIPTION

High quality ceramic rods are firmly pressed with nickel plated caps pre-welded with tin coated copper wires, on the rods. Resistive wire is wounded and spot welded at both ends on caps. The resistor are coated with silicon epoxy and resistor is molded in aluminium casing for electrical , mechanical and climatic protection, alpha numeric marking is applied with respect to designated value on resistor. All Resistors are subjected to testing before dispatch..

### FEATURES :

- Wide resistance range and power.
- Low Inductance.
- Pulse withstanding design available



### SPECIFICATION

Series	L max	A max	H max	PX ± 0.3	PY ± 0.3	M ± 0.3	B max	C max	D max
OAH5	17.5	29	17	11.3	12.4	2.4	4.5	9	2.5
OAH10	21	37	21	14.3	15.9	2.4	5.5	11	3.2
OAH25	30	52	28	18.3	19.8	3.2	7.3	15	3.2
OAH50	50	73	30	39.7	21.4	3.2	8.5	17	3.2
OAH75	50	71	48	29	37	4.4	11.8	26	3.5
OAH100	66	90	48	35	37	4.4	11.8	26	3.5
OAH150	98	125	48	58	37	4.4	11.8	26	3.5
OAH200	90	145	73	35	57.2	5.3	20.5	45	6.75
OAH250	110	165	73	44.5	57.2	5.3	20.5	45	6.75
OAH300	130	180	73	52	57.2	6.6	20.5	45	6.75



# OMEGA PRODUCTS PVT. LTD.

Unit No.50,SDF II, SEEPZ (SEZ ) Andheri ( East ), Mumbai 400 096

## Wire wound Resistors Aluminium Housed OAH Series

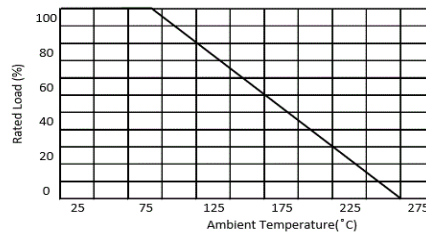
Series	Power rating on Std Heat sink @25°C	Power rating with no Heat sink @25°C	Resistance Range	Limiting element Voltage (DC/AC rms)	Dielectric Strength (AC Pk)	Weight Approx. (gms)	Standard Heat sink	
							Area (cm <sup>2</sup> )	Thickness (mm)
OAH5	10	5	R01-10K	160	1400	5	400	1
OAH10	15	8	R01-15K	260	1400	7	400	1
OAH25	25	12.5	R01-35K	550	2500	15	550	1
OAH50	50	20	R01-100K	1250	2500	30	550	1
OAH75	75	45	R01-50K	1400	5000	85	1000	3
OAH100	100	50	R01-100K	1900	5000	115	1000	3
OAH150	150	55	R01-100K	2500	5000	175	1000	3
OAH200	200	50	R01-50K	1900	5000	475	3750	3
OAH250	250	60	R01-65K	2200	5000	600	4800	3
OAH300	300	75	R01-80K	2500	5000	700	5800	3

### PERFORMANCE CHARACTERISTIC

	Requirement Shall not Exceed
Tolerance	±0.25% to ±5%
Short Term Overload (10 x Rated power - 5 Sec)	Delta R ± (0.5% +0.05 Ohms)
Load Life (Rated 1000 Hrs 1.5/0.5 Hr ON/OFF)	Delta R ± (1.0% +0.05 Ohms)
Temperature Coefficient Resistance (TCR)	± 60 ppm/°C up to 100W ± 30 ppm/°C below 100W
Operating Temperature	'-25 to +250°C
Insulation Resistance (at 500V for 1 Min)	> 10 000 M Ohms
Incomustibility (16 x rated voltage - 5 sec)	No Flash
Solderability (Solder bath dip - 5 Sec)	> 95% Coverage
Vibration 10Hz to 2000Hz , 1g, 6 hrs, x & y axis	Delta R ± (0.2% +0.05 Ohms)
Shock 30G, 6ms, 3 times, x,y,z axis	Delta R ± (0.2% +0.05 Ohms)
Resistance to Solvents (Solvent dip - 3 min)	No deterioration

Derating

Derating Curve :



### Ordering Info:

OAH5 10R J

\*Specifications is subject to change without notice